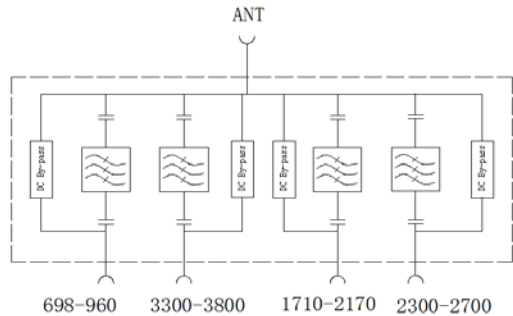


QBC6980-3800-43FDH

Quad Band Combiner

698-960MHz /1710-2170MHz/2300-2700MHz /3300-3800MHz



Features

- Compact, low weight
- Contain CDMA ,GSM, DCS ,WCDMA, LTE 2600 and 5G band
- Low insertion loss and VSWR

Electrical Specifications

	Port 1	Port 2	Port 3	Port 4
Frequency range (MHz)	698-960	1710-2170	2300-2690	3300-3800
VSWR				≤ 1.25
Insertion loss(dB)				≤ 0.35
Return loss (dB)				≤ -19
Isolation(dB)				≥ 50
PIMD (dBc)(3rd order; with 2 x 20 W)				≤ -160
DC Characteristics	DC by-pass all port (max.2500mA)			
Impedance(Ω)				50
Average input power (W)				250

Mechanical Specifications

Connector type	4.3-10 female
Dimension(W*D*H)	205 X 160 X 56 mm
Weight (Kg)	3.5
Barometric pressure	55 KPa -106KPa
Operating temperature	-40°C to +65°C
Storage temperature range	-40°C to +85°C
Relative humidity	5% - 95%
Lightning protection	3kA 10/350us, 8kA 8/20 us
Colors	Light grey (RAL 7035)
Enclosure protection	IP67
Mounting	Brackets/Clamps for Φ40-115 mm Pole/Mast
Packing	1Pce in box

Product Specification Sheet

QBC6980-3800-43FDH

Quad Band Combiner

