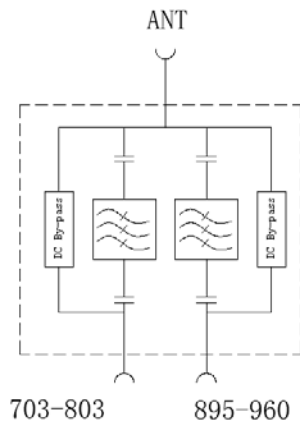


Product Specification Sheet

DBC703-960-AH

Diplexer Combiner 703-803/895-960 MHz



Features

- Compact, low weight
- Contain CDMA,GSM band
- Low PIM

Electrical Specifications

Port	Port 1	Port 2
Frequency range (MHz)	703-803	895-960
Return loss/VSWR	≤-20dB / ≤1.22	
Insertion loss	≤0.25dB	
Rejection	≥47dB @703-803MHz&895-960	
RF input power per port	200W (AVG) ; 2000W (Peak)	
Intermodulation (5rd order)	≤-153dBc @ 2 x 20 W	
DC Characteristics	DC by-pass between all ports (max 2500 mA)	
Impedance (Ω)	50	

Environmental Specifications

Operating temperature range	-20°C to +60°C
Storage temperature range	-40°C to +85°C
Lightning protection	3kA 10/350us, 8kA 8/20 us
Relative humidity	5% - 95%
Barometric pressure	55 KPa -106KPa
Applications	IP67

Product Specification Sheet

DBC703-960-AH

Mechanical Specifications

Connectors type	4.3-10 female
Weight	1.8kg(Single); 3.6kg(Double);
Outer Dimension(mm)	134*137.1*144mm(excluding Connectors and Brackets/Clamps)
Color	Light grey
Mounting	Brackets/Clamps for Φ 40-115 mm Pole/Mast installation

